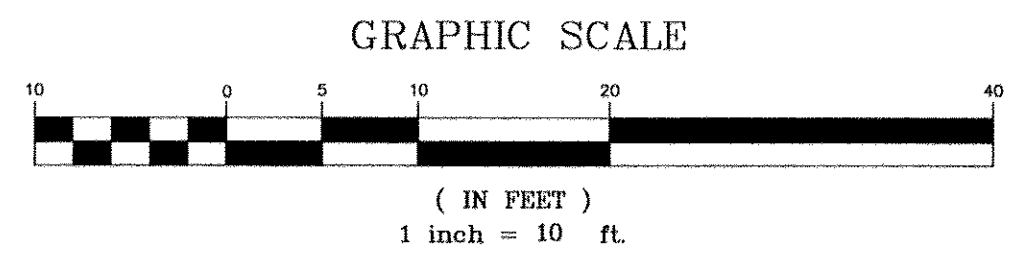


MILLER PARK

SITE PLAN

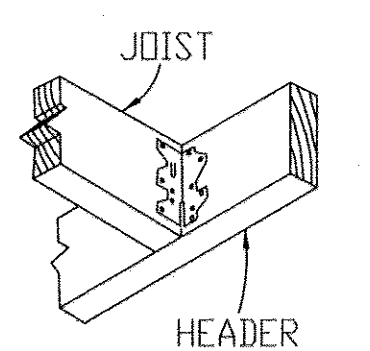


DENNIS STREET

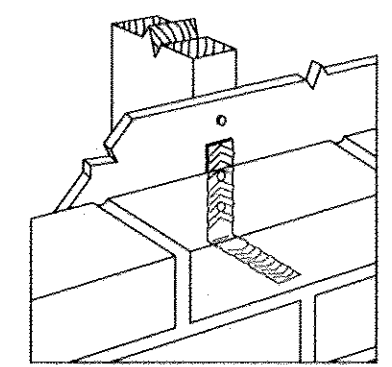
75.24' TO DENNIS ST.

DUDLEY STREET

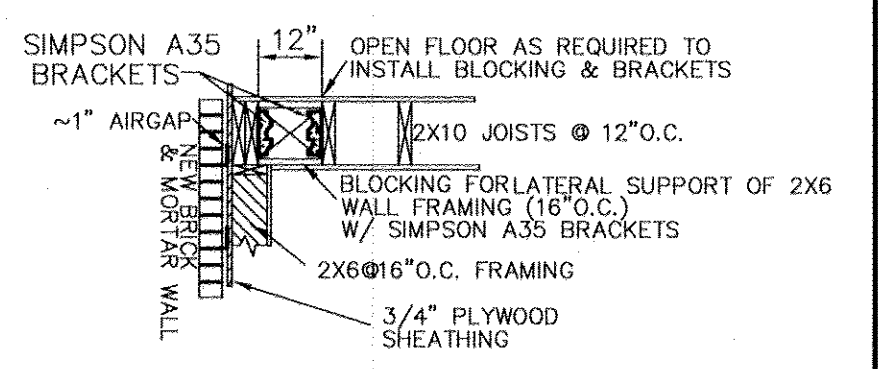
EXISTING BRICK WALL TO BE RECONSTRUCTED VIA WOOD FRAME W/BRICK FACE.



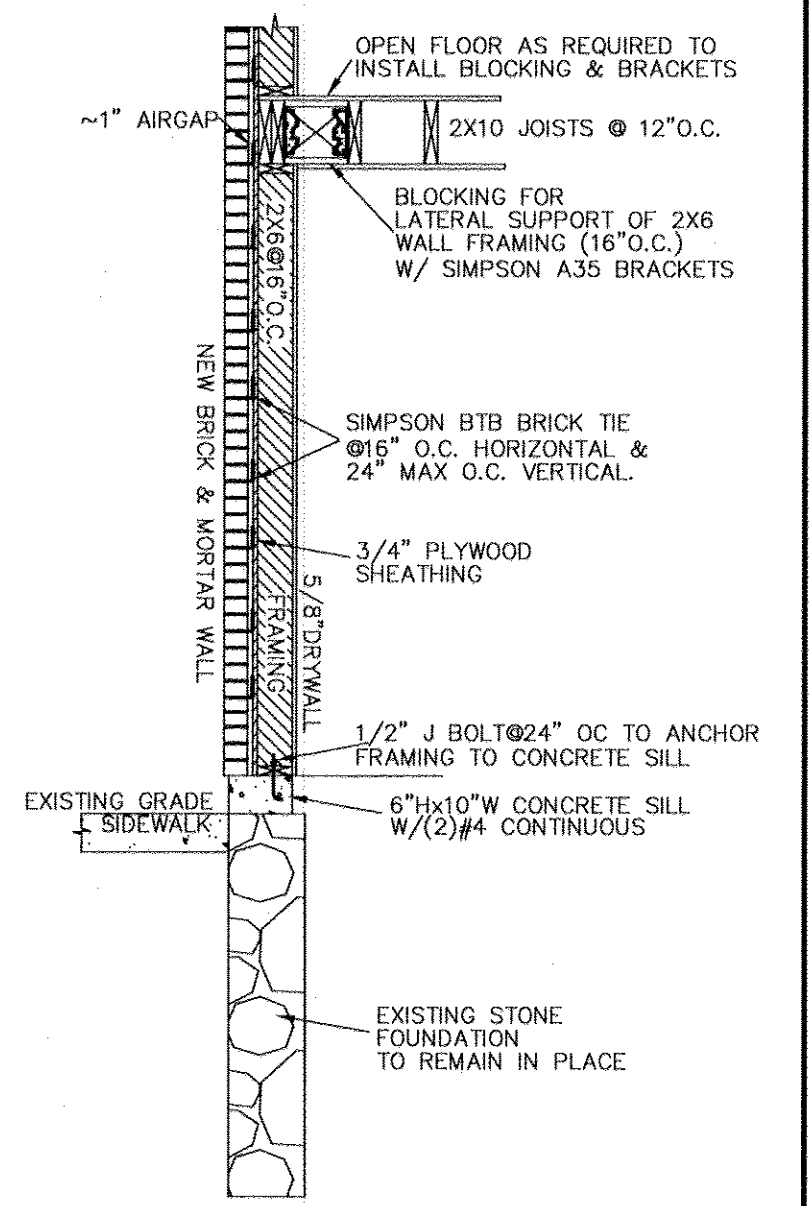
Simpson Strong-Tie A35 Framing Anchor



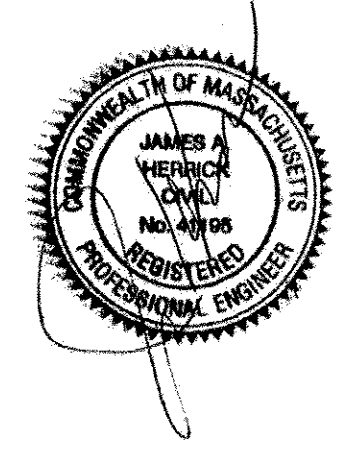
Simpson Strong-Tie BTB



BLOCKING DETAIL



NEW WALL SECTION A-A (N.T.S.)



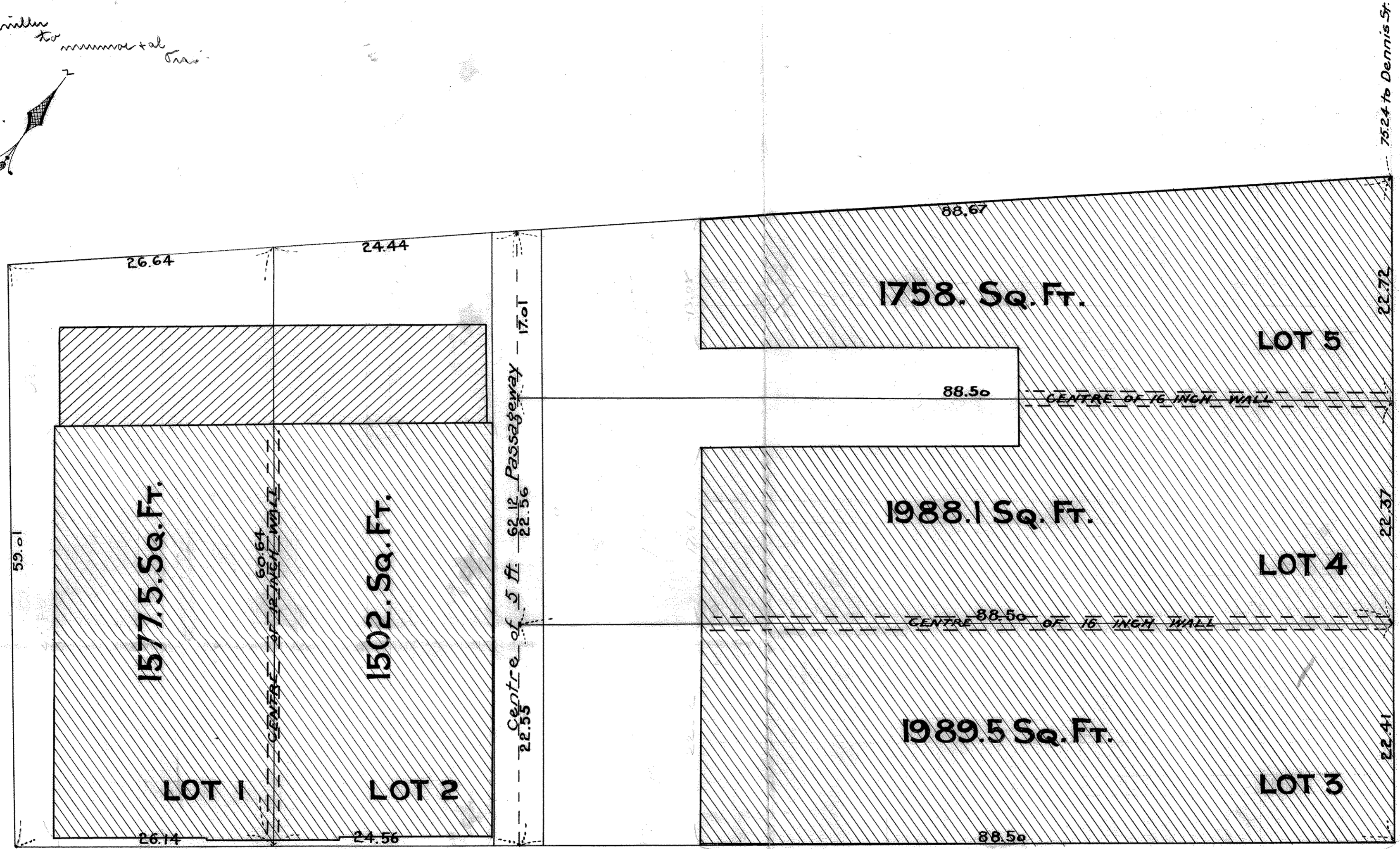
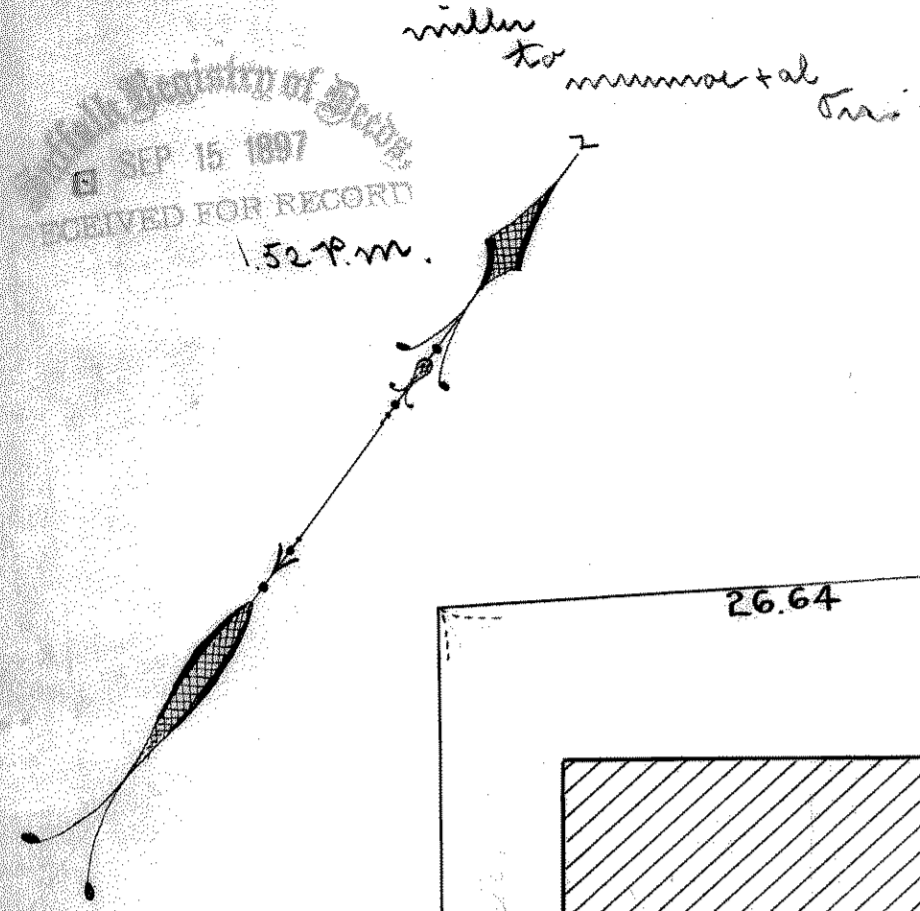
PROPOSED FRAMING SKETCH
 471 & 473 DUDLEY STREET
 ROXBURY, MA
 FOR
 EDGARDO LEBRON

CIVIL ENVIRONMENTAL CONSULTANTS LLC
 8 OAK STREET PEABODY, MA 01960 (978)531-1191

SHEET NO:	1 OF 1	DATE	12/20/18	JOB NO:	4061
		DRAWN BY:	L.J.B.		

Registry of Deeds
 SEP 15 1897
 RECEIVED FOR RECORD
 1.52 P.M.

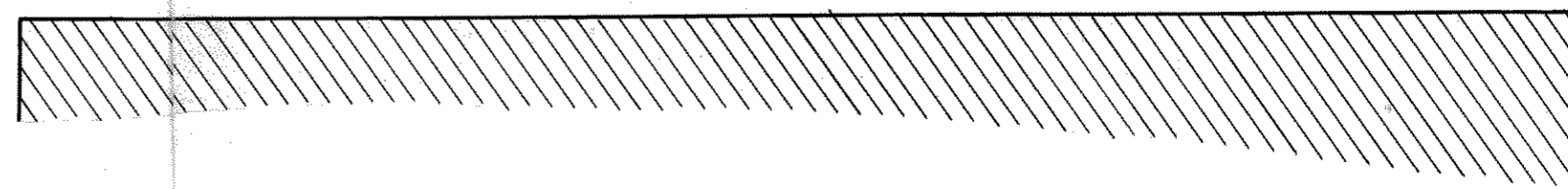
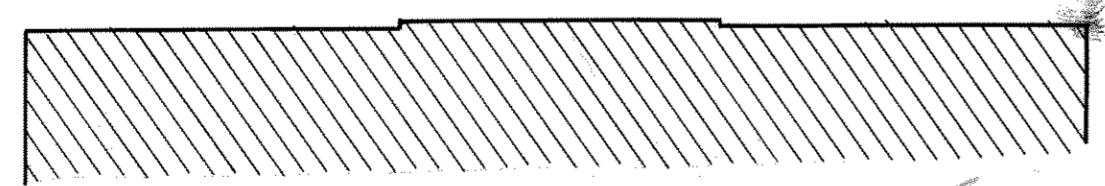
2-169 328



75.24 to Dennis St.

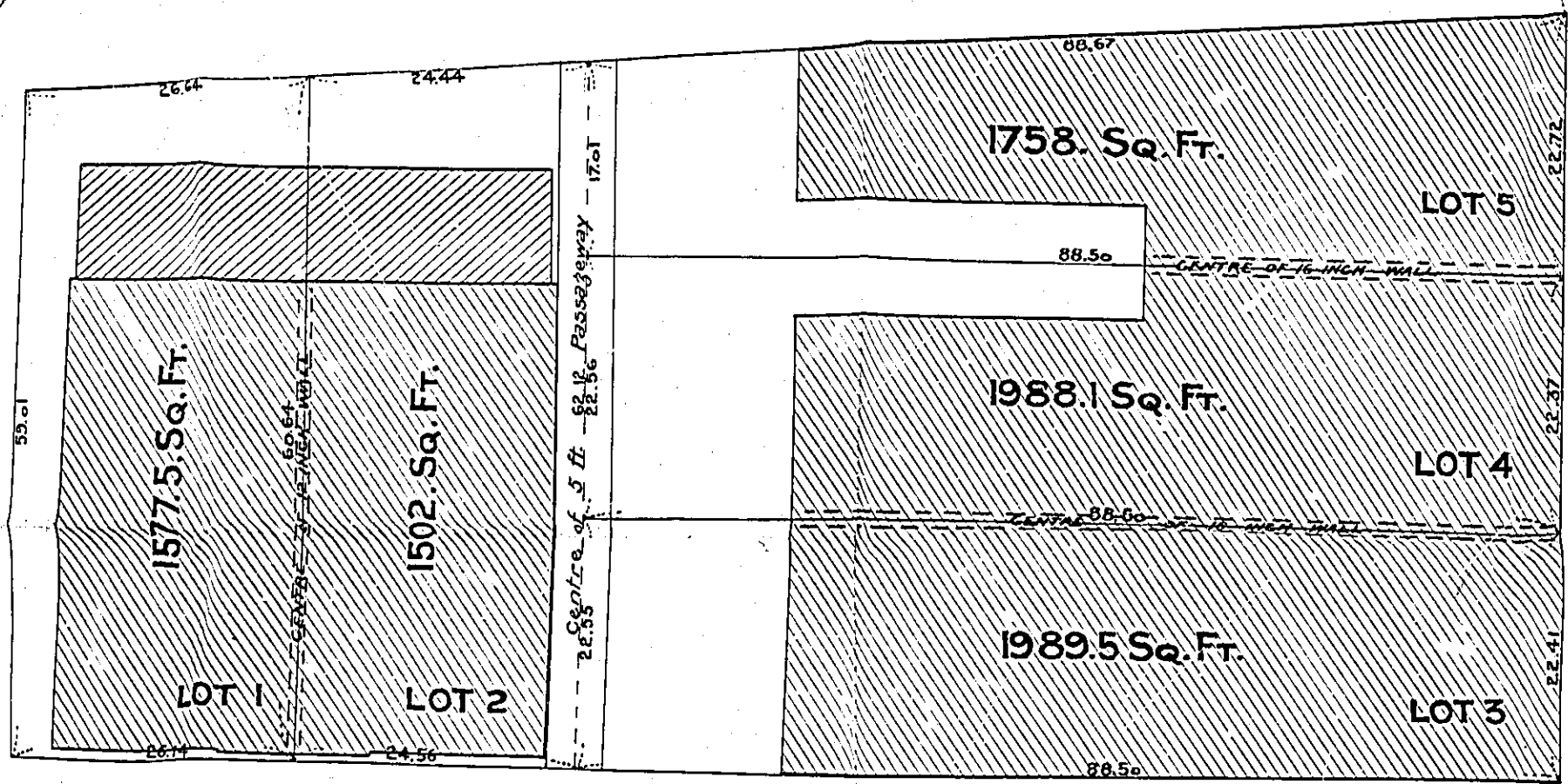
Dudley St.

Miller (14 FEET WIDE) Park



Scale 8 feet to an inch.
 Hyde & Sherry, Civil Engineers,
 15 Court Square Boston,
 June 15th 1897.

FROM THE OFFICE OF
 HYDE & SHERRY,
 Civil Engineers and Surveyors,
 SOUTH BUILDING, 15 COURT SQ., BOSTON,
 Rooms 44 and 45.
 TELEPHONE BOSTON 807.



Miller

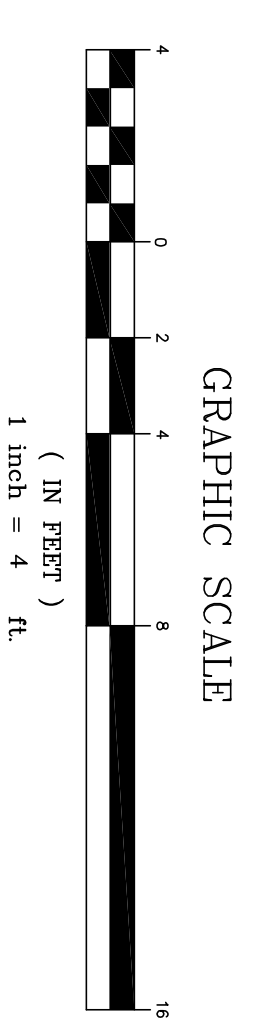
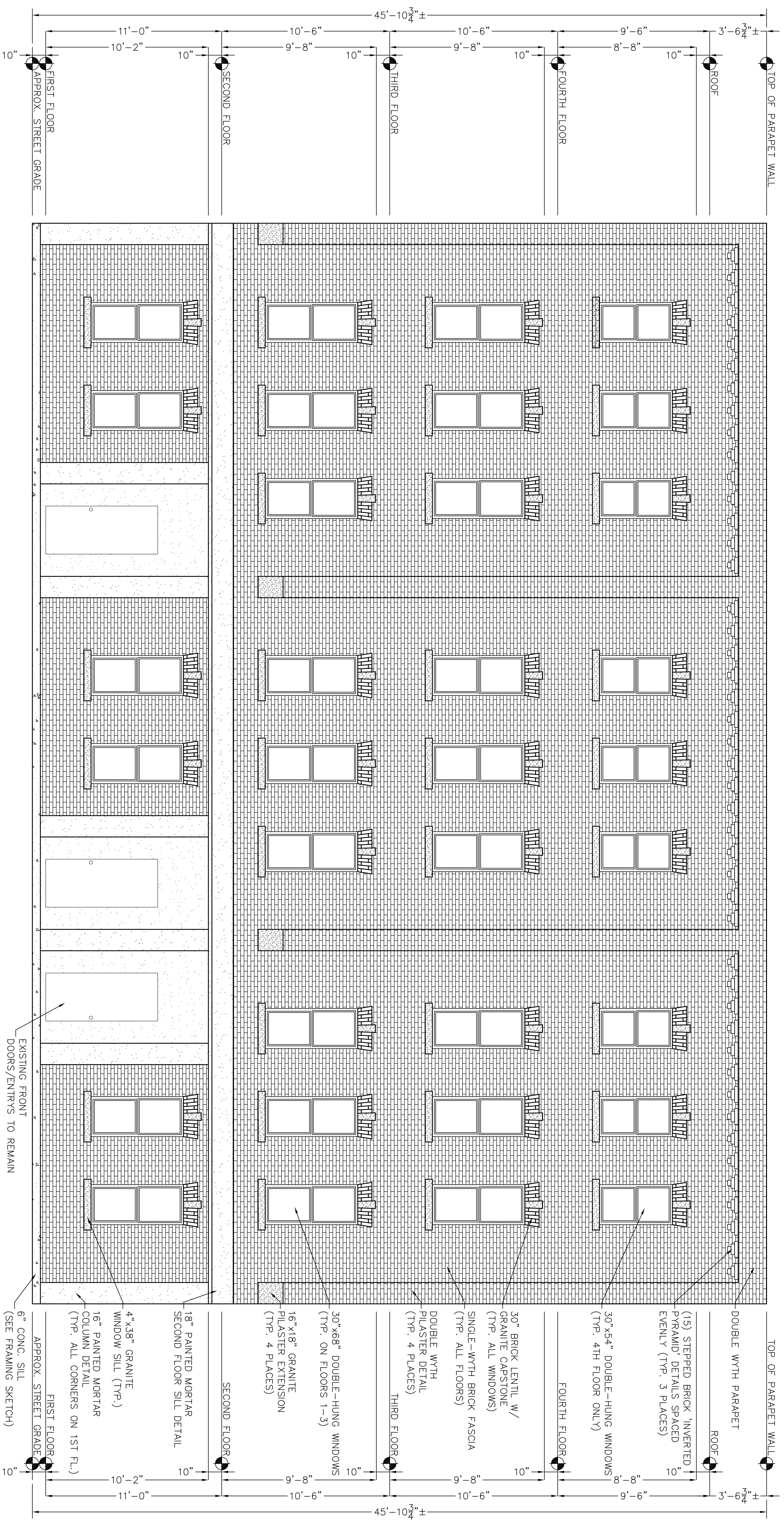
(14 FEET WIDE)

Park

Dudley St.

Scale 8 feet to an inch.
 Hyde & Sherry, Civil Engineers,
 15 Court Square Boston,
 June 15th 1897.

FROM THE OFFICE OF
 HYDE & SHERRY
 Civil Engineers and Surveyors
 15 COURT SQUARE, BOSTON, MASS.
 RECORD OF THE BOSTON CITY



PROPOSED FRONT ELEVATION
471-473 DUDLEY ST.
ROXBURY, MA
FOR

EDGARDO LEBRON

CIVIL ENVIRONMENTAL CONSULTANTS

8 OAK STREET PEABODY, MA 01960 978-531-1191

SHEET NO. 1 OF 1 DATE: 9/10/2020 JOB: 4061

DRAWN BY: C.R.L.